

## KTI-2500M

### TRUNKING 2.5 SYSTEM CONTROLLER



The KTI-2500 controller is the core of a TRUNKING 2.5 system. This compact and hardened device allows for full scale system management and integration, as well as redundancy. Together with TKR-2500 repeaters, you can have a robust, efficient trunking system enabling powerful capacity while saving space over a traditional server.



Model Name	Description	Installation
KTI-2500M	System controller / Linux OS Trunking 2.5 software pre-installed, also includes options below: 1 ea. (AIS voice path license / SIP connection license / G.711 transcoder license)	One controller required per system

Model Name	Description	Required Per
KWD-2500HAK	HIGH AVAILABILITY LICENSE Add-on Software Option for KTI-2500 to enable High Availability Capability	Secondary Controller
KWD-2500ASK	AIS CALLING LICENSE Add-on Software Option for KTI-2500 to enable AIS Calling Capability	Concurrent Call
KWD-2500SPK	SIP CALLING LICENSE Add-on Software Option for KTI-2500 to enable SIP Calling Capability	Concurrent Call
KWD-2500GTK	G.711 TRANSCODER LICENSE Add-on Software Option for KTI-2500 to enable G.711 Transcoder Capability	Concurrent Call



#### Fleet Management

Control access and encryption and remotely manage programming templates with OTAP.



#### IP Wireline Integration

Seamless connectivity over IP networks, enabling unified, scalable communication across geographical diverse operations.



#### Geo-Redundancy

Resilient system architecture ensuring continuous operation and reliability with automatic failover.

# Specifications

I/O	KTI-2500M
Serial Port	4 x RS-232/422/485
USB Port	2 x USB 2.0 Ports and 2 x USB 3.0
LAN	2 x RJ45 Ports for GbE
Video Port	2 x HDMI / 1 x VGA
GPIO	4 In and 4 Out GPIO Ports (5V Level)
Audio	Line-Out
Expansion Bus	2 x Mini-card Slots (1 with SIM for LTE Only), 1 x M.2 A-E Key

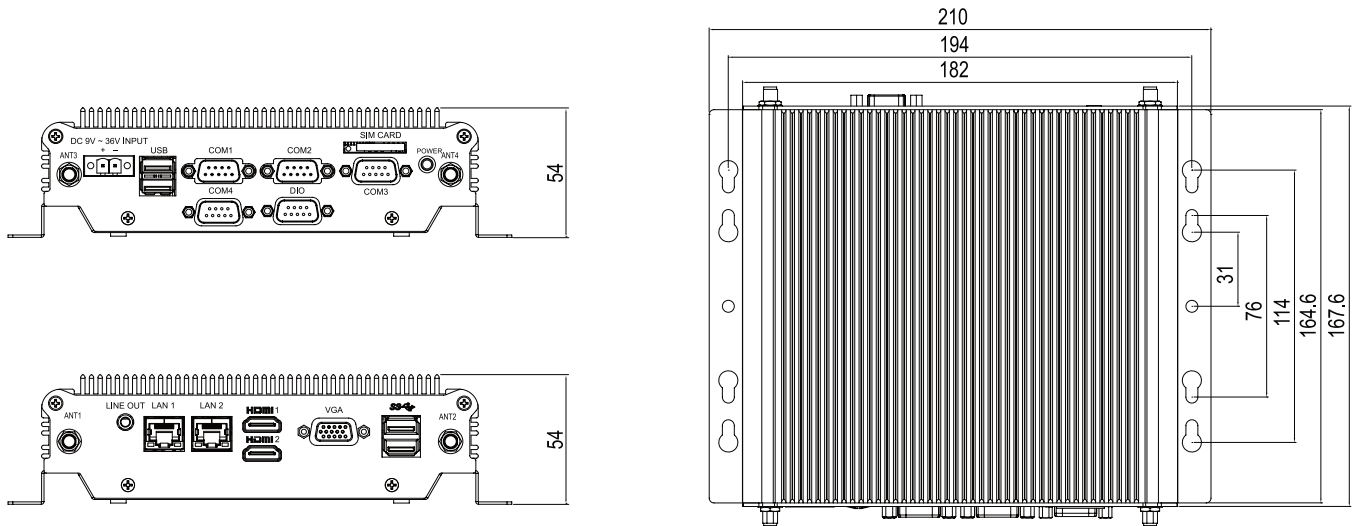
Environment	KTI-2500M
Operating Temp.	-22 till 140°F (-30 till 60°C) ambient with 0.6m/s airflow
Storage Temp.	-40 till 185°F (-40 till 85°C)
Relative Humidity	10% RH till 90% RH (non-condensing)
Power Input	DC 9-36V Input with Reverse Polarity OCP and OVP Protection
Certifications	CE, FCC Class A

Mechanical	KTI-2500M
Construction	Aluminum alloy
Mounting	Wall-mount, VESA-mount, Din Rail Mounting Kit
Weight	2.65 lbs. (1.2kg)
Dimensions	7.2 x 6.6 x 1.9 inch (182 x 167.6 x 47 mm)

# Dimensions

Unit : mm



**JVCKENWOOD USA Corporation**  
 Safety & Security Sector Headquarters  
 1440 Corporate Drive | Irving, TX 75038  
**Order Administration/Distribution**  
 4001 Worsham Ave. | Long Beach, CA 90808  
[www.kenwood.com/usa](http://www.kenwood.com/usa)

**American Communication Systems**  
*Discover the Power of Communications™*  
<http://www.ameradio.com>





**ISO9001 Registered**  
 Communications Systems Division  
 JVCKENWOOD Corporation  
 ADS#37724 Print in U.S.A.