

KENWOOD

NEXEDGE®

KCH-21R

HANDHELD CONTROL HEAD OPTION FOR THE NX-5000 SERIES MOBILE RADIOS

NXDN® **DMR** **P25**



● FEATURE HIGHLIGHTS

- Speaker microphone with full-featured control head
- Handheld design offers one-handed operation of PTT, volume and channel selection
- Designed to work with the NX-5000 Series mobile radios using Control Head Remote Kit
- Intuitive operation similar to that of the KCH-19 and KCH-20R control heads

● AUDIO FEATURES

- Built-in speaker with 1 W output
- Active noise reduction for a single microphone enabled by DSP on the radio
- 3.5mm-diameter earphone jack on the bottom

● DISPLAY FEATURES

- Large 1.74-inch TFT/transflective LCD for at-a-glance operational status checking
- Intuitive GUI – 14-character full-color display with 5 lines for menus and icons
- 7-color programmable LED located at the top for easy recognition

● OTHER FEATURES

- Multi-head/Multi-deck Configuration
- Built-in Bluetooth® with HSP (headset) and SPP (serial port) profiles
- Data interface for radio programming, keyloading and data I/O
- Optional adapter for the RF Deck (KRK-15BM Control Head Remote Kit) is required for connection to the mobile radio

● MULTIPLE REMOTE CONTROL HEAD CONFIGURATION

Intuitive graphical UI is used even for the selection of multiple RF decks.

- Dual Remote Control Heads x Multi RF Decks
- Dual Remote Control Heads x Single RF Deck

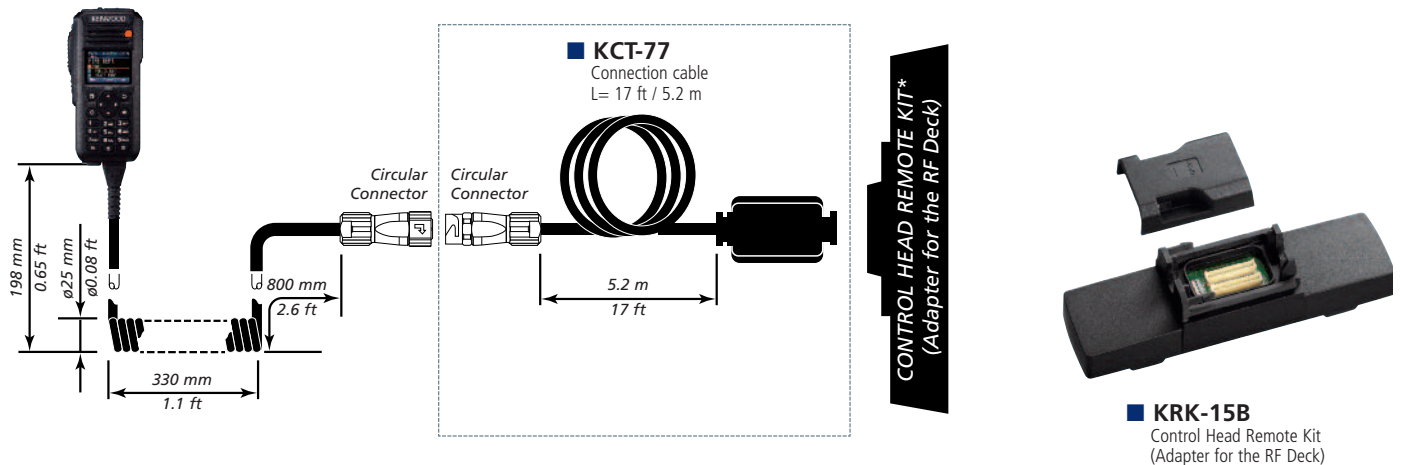


Keys on the Panel (All keys except for Power and PTT are programmable)



Connection & Cabling

Connecting the HANDHELD CONTROL HEAD to the CONTROL HEAD REMOTE KIT (KRK-15B) via the CONNECTION CABLE (KCT-77): Because the connection cables are long enough, flexible cabling is enabled to remote control the vehicle-mount RF deck even from the outside of the vehicle.



Main Specifications

	KCH-21R (M Type)
GENERAL	
Audio Output Power	1.0W max. /8 Ω (5 % distortion)
Operating Temperature	-22 °F to +140 °F (-30 °C to +60 °C)
Dimensions (W x H x D)	2.25 x 5.31 x 1.18 in.
Projections not included	2.25 x 5.31 x 1.18 in.
Weight (net) W/Cable	17.6 oz (500 g)

Applicable MIL-STD & IP

MIL Standard	Methods/Procedures				
	MIL 810C	MIL 810D	MIL 810E	MIL 810F	MIL 810G
Low Pressure	500.1 / I	500.2 / I, II	500.3 / I, II	500.4 / I, II	500.5 / I, II
High Temperature	501.1 / I, II	501.2 / I, II	501.3 / I, II	501.4 / I, II	501.5 / I, II
Low Temperature	502.1 / I	502.2 / I, II	502.3 / I, II	502.4 / I, II	502.5 / I, II
Temperature Shock	503.1 / I	503.2 / I	503.3 / I	503.4 / I, II	503.5 / I
Solar Radiation	505.1 / I	505.2 / I	505.3 / I	505.4 / I	505.5 / I
Rain	506.1 / I, II	506.2 / I, II	506.3 / I, II	506.4 / I, III	506.5 / I, III
Humidity	507.1 / I, II	507.2 / II, III	507.3 / II, III	507.4	507.5 / II
Salt Fog	509.1 / I	509.2 / I	509.3 / I	509.4	509.5
Dust	510.1 / I	510.2 / I	510.3 / I	510.4 / I, III	510.5 / I
Vibration	514.2 / VIII, X	514.3 / I	514.4 / I	514.5 / I	514.6 / I
Shock	516.2 / I, II, V	516.3 / I, IV	516.4 / I, IV	516.5 / I, IV	516.6 / I, IV
Intl. Protection Standard					
Dust & Water	IP54/55				

Specifications are subject to change without notice, due to advancements in technology. NXDN™ is a trademark of JVCKENWOOD Corporation and Icom Inc. The Bluetooth word mark and logos are registered trademarks owned by the Bluetooth SIG, Inc. All other trademarks are the property of their respective holders.

KENWOOD

JVCKENWOOD USA Corporation
 Communications Sector Headquarters
 3970 Johns Creek Court, Suite 100, Suwanee, GA 30024-1265
 Order Administration/Distribution
 P.O. BOX 22745, 2201 East Dominguez St., Long Beach, CA 90801-5745
www.kenwood.com/usa

JVCKENWOOD Canada Inc.
 Canadian Headquarters and Distribution
 6070 Kestrel Road, Mississauga, Ontario, Canada L5T 1S8
www.kenwood.com/ca



ISO9001 Registered
 JVCKENWOOD Corporation